

M-PRO TRIMMER TROLLEY

INTRODUCTION

The versatile M-Pro Trimmer Trolley has been designed to quickly and universally adjust, allowing you to mow, edge, trim or clear with your gas line trimmer.

Now you can operate your trimmer with greater ease, precision and speed.

Before attaching your Trimmer Trolley, read and understand all the safety rules provided in your trimmer manual. In addition, please understand and follow the instructions listed below:

- ▶ Do not make adjustments to the Trimmer Trolley while your trimmer motor is running
- ▶ Do not use the Trimmer Trolley for applications or equipment other than gas line trimmers
- ▶ Make sure there are no objects that can be struck by flying debris. Operate the trimmer with the line rotation spinning away from objects such as people, animals, windows and vehicles etc.
- ▶ Because the Trimmer Trolley allows for ease of operation, individuals who may not have been comfortable or able to use a line trimmer before, may now choose to operate one. Make sure they too, are familiar with the safety and operation of the line trimmer.

Attaching the Trimmer Trolley to your trimmer

1. Remove the clamp (A) from the universal joint by releasing the lever and unscrewing the lever. Pull the clamp out of the socket and slide the crossbar out. Place the clamp over the trimmer shaft and replace the cross bar with the threaded hole facing up.
2. Slip the collar over the clamp with curved inner surface aligned in the same direction as the shaft.
3. Slide the collar back into the socket of main joint and screw the cam lever in. Tighten just enough so that when the lever is depressed, it only requires light to medium pressure to hold firmly on the trimmer shaft
4. For most applications, position the universal joint on the trimmer shaft as shown in figures A and B below.

Note: It may easier to attach the unit by removing the trolley tube (release the lever and unscrew, turn-slide tube out.)

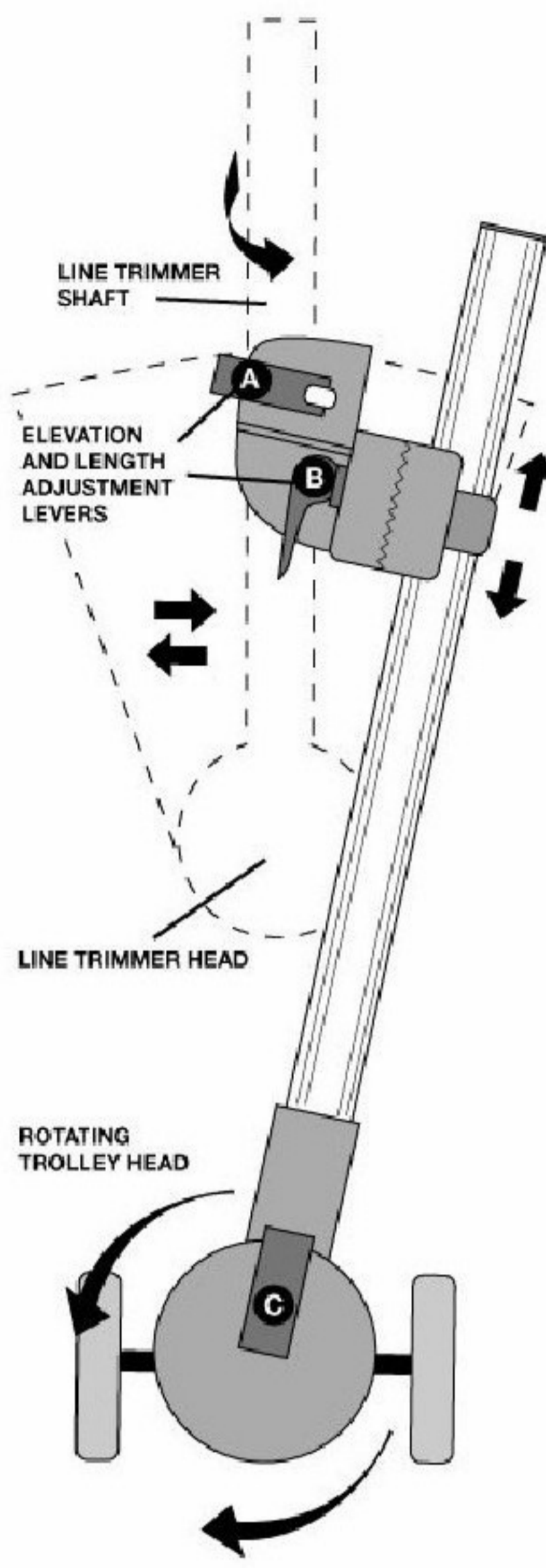
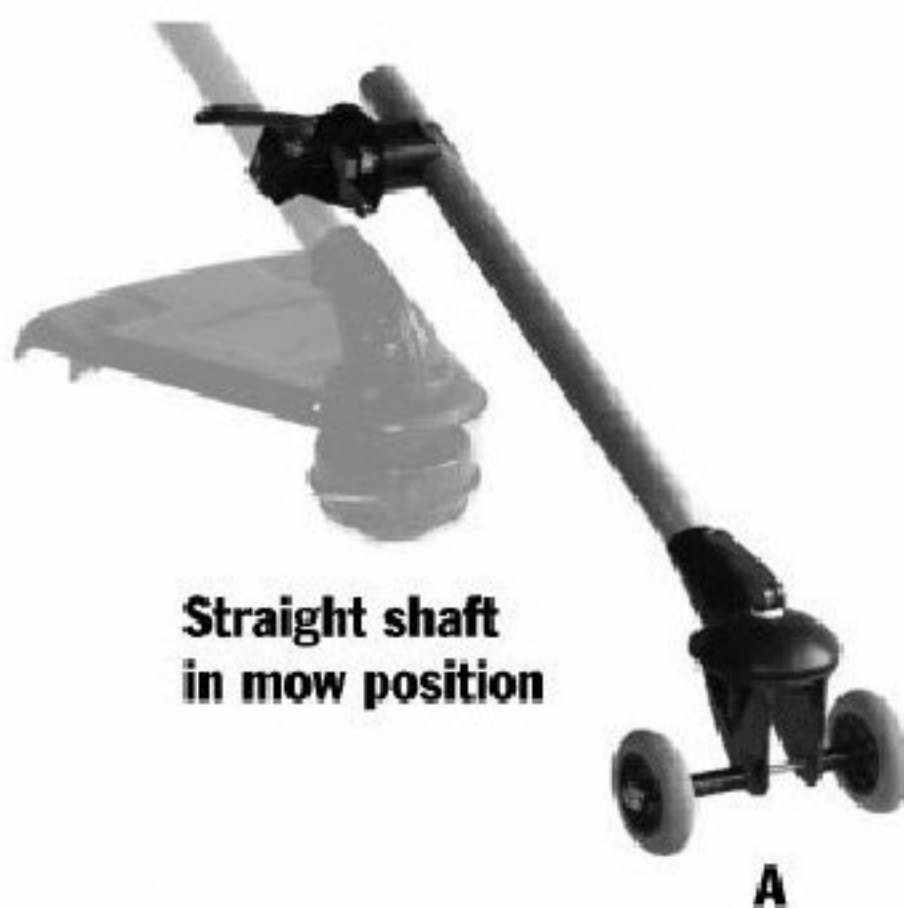


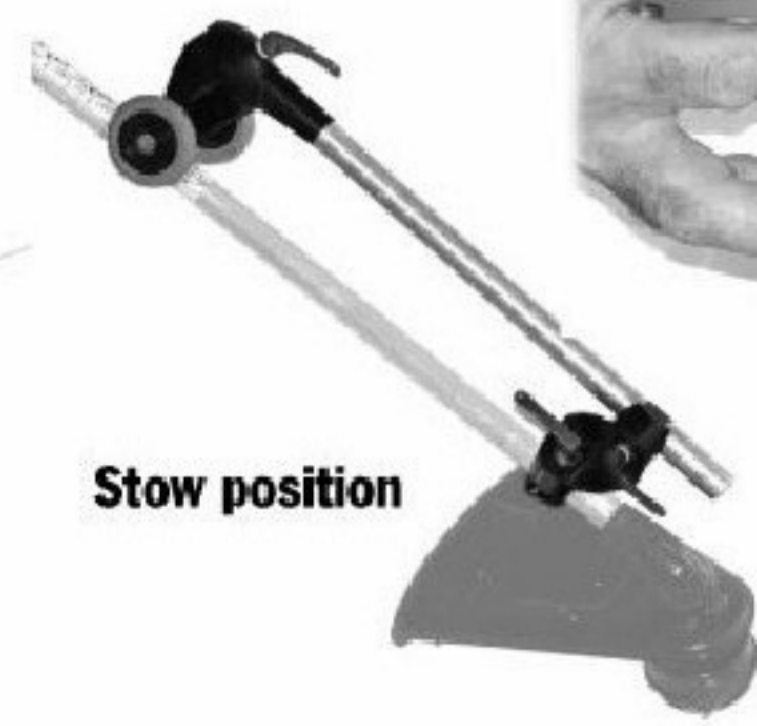
FIG. 1



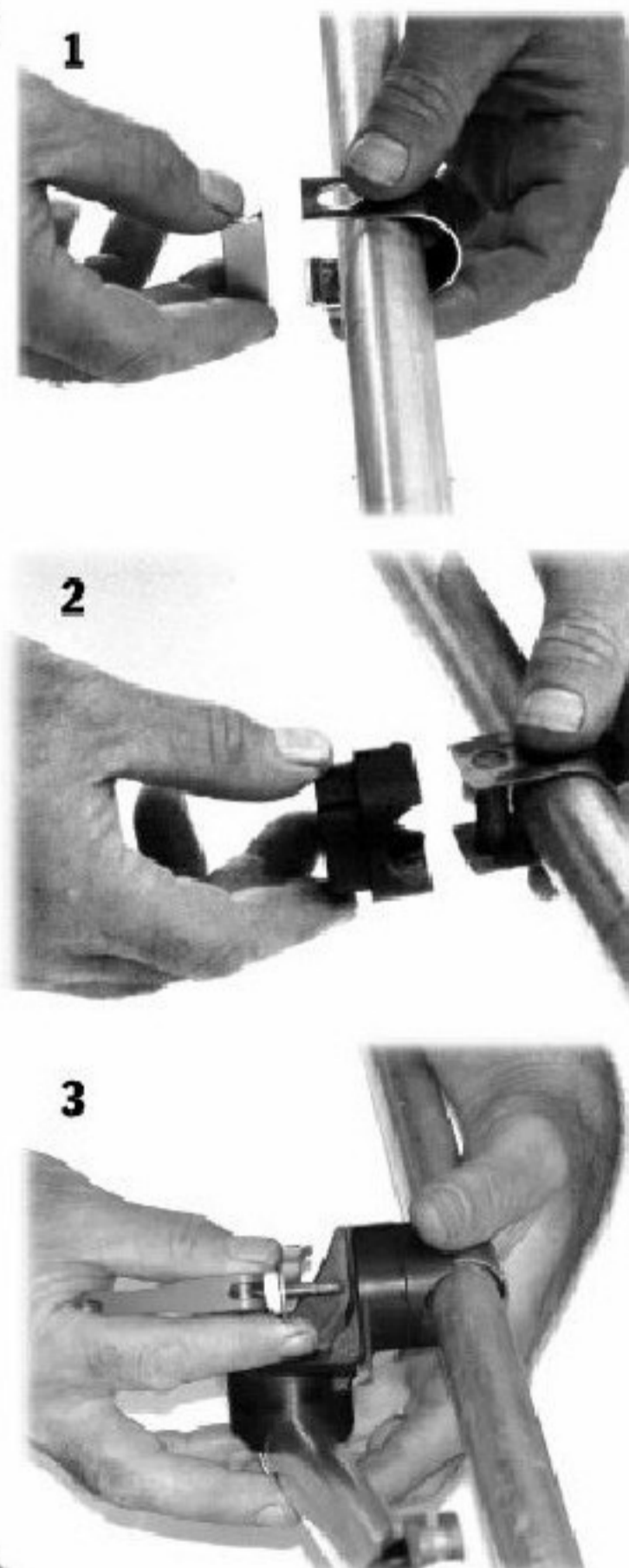
Straight shaft in mow position



Curved shaft set for edging



Stow position



Adjusting your Trimmer Trolley

By releasing a lever, the corresponding tube will slide and/or rotate in the collar. The collar will also rotate to adjust elevation, angle and direction. (see FIG.1) The lever in the wheel assembly locks the rotating head in a fixed position and when released, allows the head caster or spin freely. The "TrimmerTrolley" will adjust to mow or trim, edge, caster and will stow away for conventional use.

Adjusting to mow or trim

With the universal joint mounted on the trimmer shaft as shown in FIG. 1, release lever A (corresponds with trolley tube) and extend the tube about 11 inches, enough that it does not obstruct the trimmer line. Pivot the tube up or down to achieve the desired elevation and lock the lever.

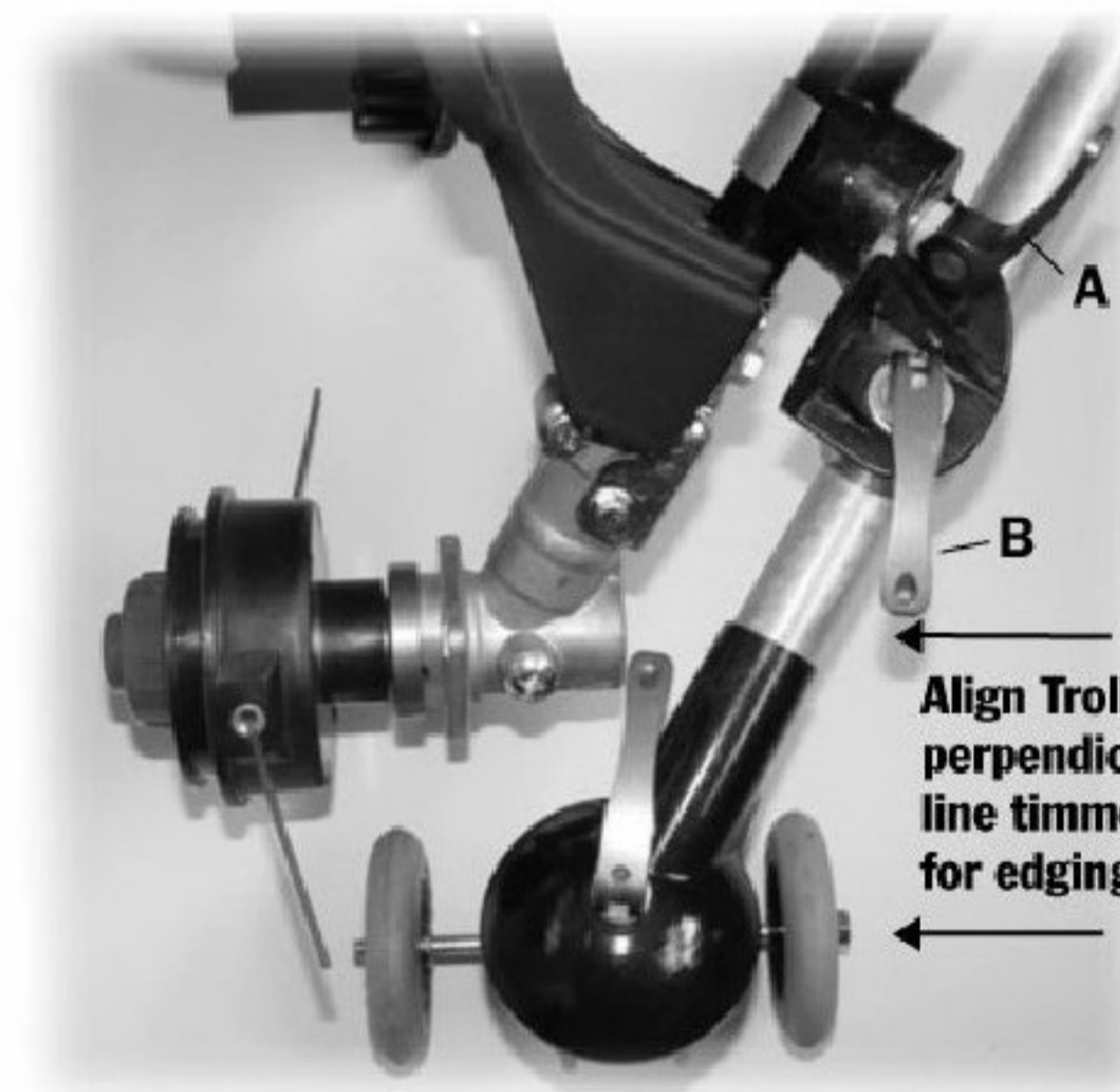
Adjusting to caster

To Caster: Remove one wheel and place a single wheel in the center of the wheel bracket using the shorter axle provide. Pull the lever (C) on the trolley head up to allow the single wheel to caster and spin freely. This application is great for clearing and use with accessories such as blowers and brushes.

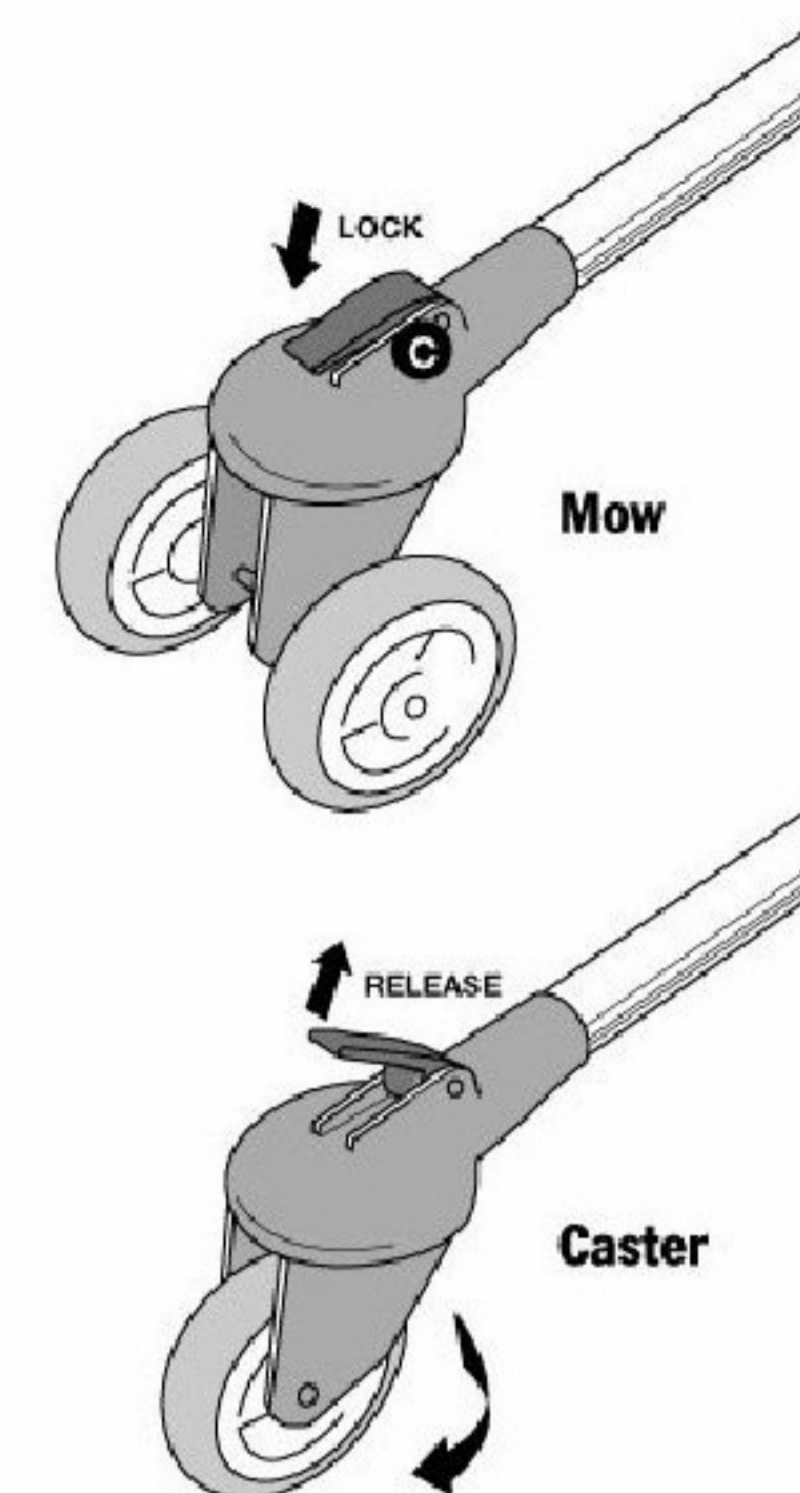
Adjusting to edge

From the mow position, release the ARM lever (A). Slide the trolley head toward the trimmer head (within an inch or two) and rotate 45 degree so the wheels are perpendicular with the line of trimmer head. Adjust the height of the trimmer head by releasing the lever (B) on the shaft and pivoting the arm to comfortable elevation. Lock lever to secure the position. Align wheels to track on same plane as the trimmer shaft.

For curved shafts: release and rotate the trolley arm 45 degrees to the desired side. To adjust the height, release and rotate the u-joint on the trimmer shaft and lock when the desired height is achieved.



Align Trolley head perpendicular to line timmer head for edging.



M-PRO
TRIMMERTROLLEY®

www.trimmertrolley.com

Lawn Care Made Easy